

### Features :

- Factory pre-set with many measuring ranges
- Measuring ranges selectable using jumpers
- Zero point and final value adjustable (inc. 4...20 mA)
- 230 V AC power supply option
- Overall depth only 72 mm

### Description

The RISH DPM 24 x 96 S are digital panel instruments for measurement of current DC and voltage DC with 9 measuring ranges. 3 ranges for power supply are available.

The measuring ranges and zero point, selectable using jumpers at the back. The choice of many factory pre-set measuring ranges is included, with user adjustments available for the zero and full-scale values.



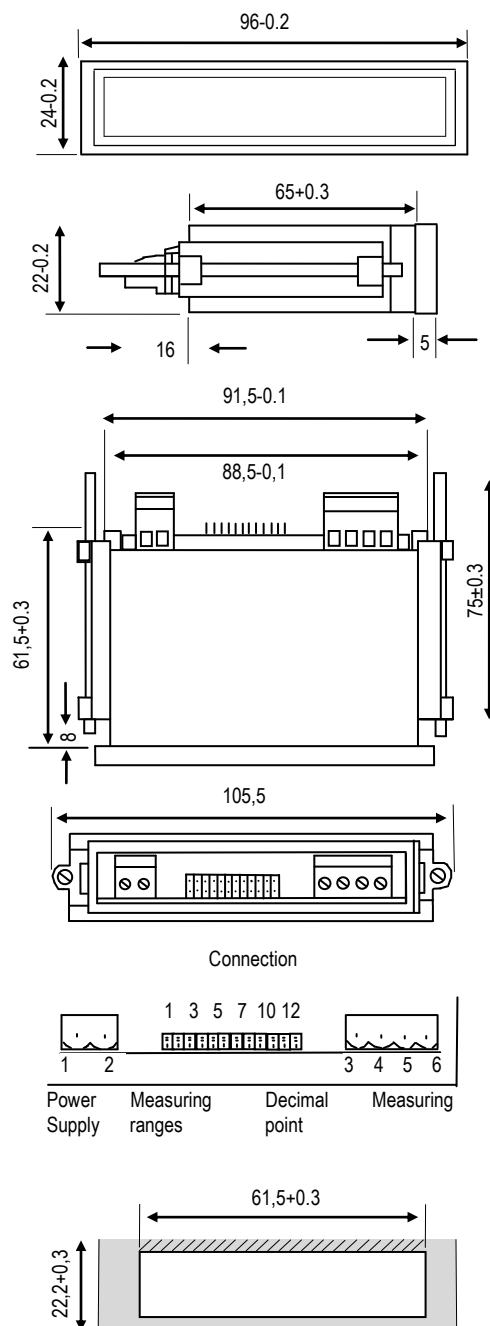
### Applicable Regulations and Standards

Protection class front	IP 20 to IEC EN 60 529 IP 54 (IP 65 on request)
Climatic class	Class 2 VDE/DIN 3540
Safety class	II to IEC 348 / VDE 0411
Device safety	to IEC EN 61 010
EMC immunity	DIN EN 61 000-4-1 to 4
EMC radiated interference	DIN EN 50 081 class B

### Specifications

Display	Display range	1999	
	Decimal point position	selectable by rear jumper position	
	Negative display indication	"-"	
	Digit height	14 mm / 7-segment digits	
	Overload indication	Last 3 digits blank	
	Setting time	< 1s (0...99%)	
	Measuring ranges	Direct voltage (Input current < 300 mA)	0 ... 0.2 V 0 ... 1 V 0 ... 5 V 0 ... 25 V 0 ... 100 V 0 ... 300V
		Direct current (Voltage drop < 600 mV)	0 ... 1 mA 0 ... 20 mA 0 ... 200 mA
		Range adjustment span	from 20% to 100% of range
		Zero offset [suppression]	up to -1000
Accuracy		< 0.2 % + 1 digit	
Temperature coefficient		100 ppm/ C, plus	
Zero point drift		100 ppm/ C	
Options		Brightness adjustment	
		Zero point adjustment	
		HOLD input	
Digital input	HOLD [option]	"0"	
Power supply	Direct voltage DC	5V ± 5 %      0.6 W not isolated	
	Common mode voltage	-0.5V ... 1.5V max. 21 ... 30 V ± 15%    4 W approx.	
	Alternating voltage AC	230V + 10 % -15 %    1.3 W approx.	
Ambient conditions	Operating temperature	0 ... 50 °C	
	Storage temperature	-40 ... 80°C	
Dimensions and	Bezel size	96mm x 24 mm DIN 43 718	
Weights	Panel cut-out	92 +0.8 mm x 22.2 + 0.3 mm	
	Overall depth	72 mm	
Sundry	Weight	210 g. Approx. [5V DC version 90 g]	
	Connections	plug-in screw terminal block	

### Design and Installation



### Order Details

Type:  
Measuring input:  
Display:  
Display caption:  
Options:  
Supply Voltage:

### Example

....RISH DPM 24/96 S  
....0...20mA  
....0...0230  
.....V  
.....  
.....24 V DC